



RTS 01 ROOM THERMOSTAT WITH LATERAL PROBE

LEITENBERGER

Mess- und Regeltechnik GmbH

Bahnhofstraße 32/33

D-72138 Kirchentellinsfurt

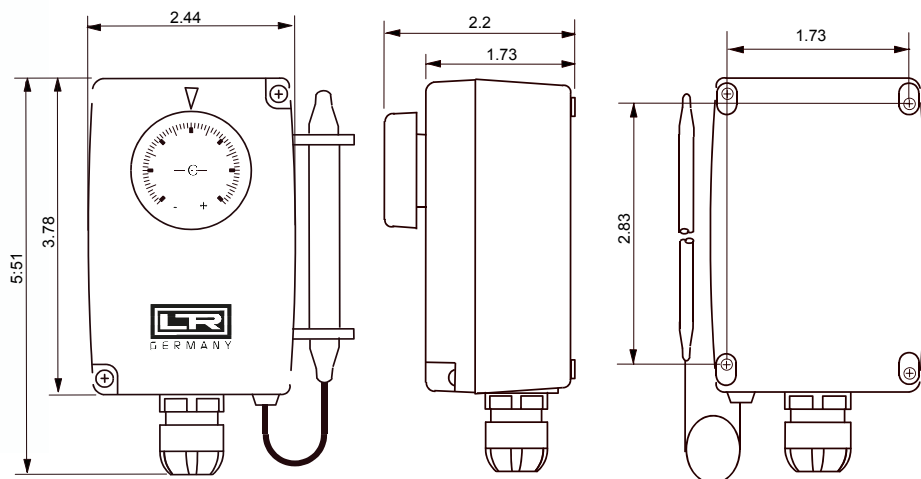
Fon: +49 (0)7121/908-0

Fax: +49 (0)7121/908-200

E-Mail: mrt-info@leitenberger.de



Also available with LCD



Unit: Inch

Case:
Degree of Protection:
Working Range:

Differential:
Max. temp. on bulb
Contact:
Capacity on contacts:
Cable pass:

ABS grey RAL 7035, resistant up to +60°C or 140 °F
IP 44
-35 / +35 °C or 0/+40°C
-31 / +95 °F or +32/+104 °F
deltaT = 3 ±1 K
+60°C / 140 °F
1 single pole SPDT contact
16 A 250 V AC
PG 9

Order Code:

range	-35 / +35 °C	RTC0135035
	-31 / +95 °F	
range	0 / 40 °C	RTC0100040
	+32 / 104 °F	

