



LEITENBERGER

Mess- und Regeltechnik GmbH

Bahnhofstraße 32/33

D-72138 Kirchentellinsfurt

Fon: +49 (0)7121/908-0

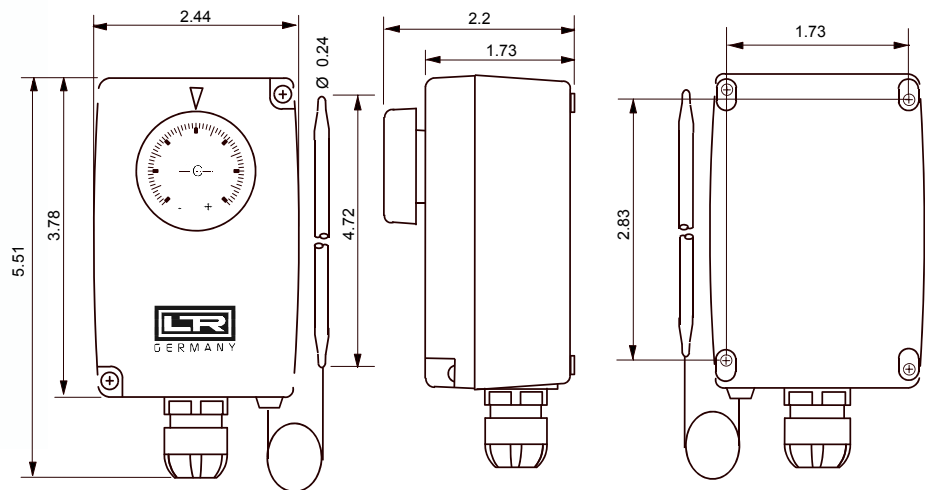
Fax: +49 (0)7121/908-200

E-Mail: mrt-info@leitenberger.de

RTC 01 ROOM THERMOSTAT WITH LIQUID FILLED CAPILLARY SYSTEM



Also available with LCD



Unit: Inch

Case:	ABS grey RAL 7035, resistant up to +60°C or 140 °F
Degree of Protection:	IP 44
Working Range:	-35 / +35 °C or 0/+40°C -31 / +95 °F or +32/+104 °F
Differential:	deltaT = 3 ±1 K
Max. temp. on bulb	+60°C / 140 °F
Contact:	1 single pole SPDT contact
Capacity on contacts:	16 A 250 V AC
Cable pass:	PG 9
Capillary:	2.000 mm / 78.74 inch, CU - nickel plated
Bulb:	120 x 6 mm / 4.72 x 0.24 inch, plain. nickel plated

Order Code:	range -35 / +35 °C	RTC0135035
	-31 / +95 °F	
	range 0 / 40 °C	RTC0100040
	+32 / 104 °F	

