

LEITENBERGER

Mess- und Regeltechnik GmbH

Bahnhofstraße 32/33

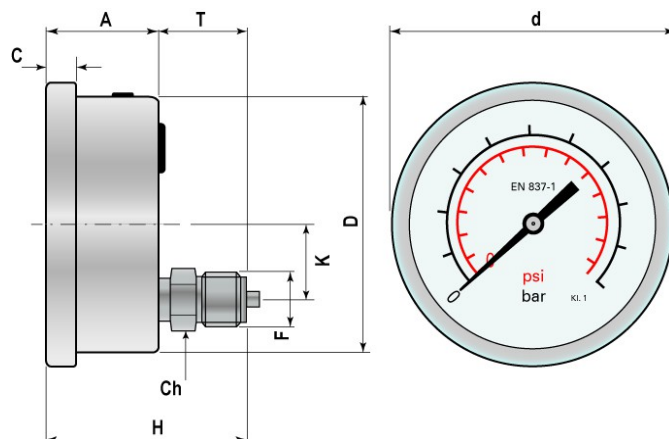
D-72138 Kirchentellinsfurt

Fon: +49 (0)7121/908-0

Fax: +49 (0)7121/908-200

E-Mail: mrt-info@leitenberger.de

B< PRESSURE GAUGES TYPE P



Type	F	A	C	D	d	H	T	K	CH
MG10NH3H	1/2"	1.89	0.49	3.94	4.35	3.54	1.65	1.18	0.87

Unit: Inch

Case:	AISI 304 stainless steel
Window:	safety glass
Ring:	AISI 304 stainless steel, polished 1/2" bottom, AISI
Socket:	316L
Elastic element:	AISI 316L Bourdon tube
Movement:	AISI 316L
Dial:	white
Pointer:	black oxidized aluminium
Range:	-1/+9 bar ; -1/+15 bar ; -1/+24 bar 14,50/130 psi; 14,50/215 psi; 14,50/345 psi
Accuracy:	cl. 1,0
Ambient-T:	-25 / +65°C / +59/149 °F
Process fluid-T:	max. +65°C / +149 °F
Protection:	IP65 according IEC29
Options on request:	- cl. 0.5 - glycerine filled - other connectors