



LEITENBERGER

Mess- und Regeltechnik GmbH

Bahnhofstraße 32/33

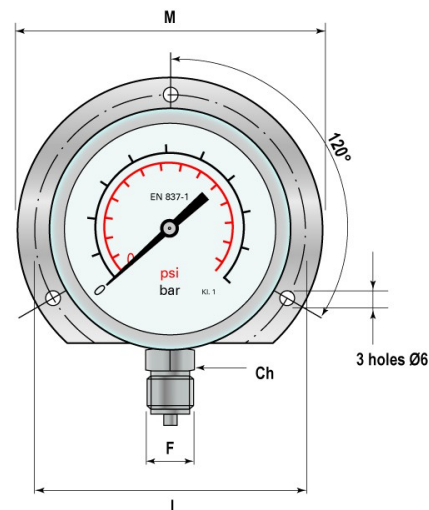
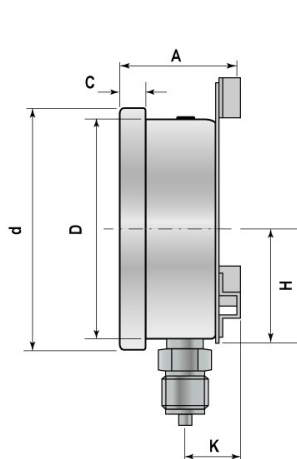
D-72138 Kirchentellinsfurt

Fon: +49 (0)7121/908-0

Fax: +49 (0)7121/908-200

E-Mail: mrt-info@leitenberger.de

B< PRESSURE GAUGES TYPE <



Type	F	A	C	D	d	H	K	M	I	CH
MG10HNH3	1/2"	2.4	0.49	3.94	4.35	2.05	1.18	5.28	4.65	0.87

Unit: Inch

- Case: AISI 304 stainless steel
- Window: safety glass
- Ring: AISI 304 stainless steel, polished 1/2" bottom, AISI 316L
- Socket: AISI 316L Bourdon tube
- Elastic element: AISI 316L
- Movement: AISI 316L
- Dial: white
- Pointer: black oxidized aluminium
- Range: -1/+9 bar ; -1/+15 bar ; -1/+24 bar
14,50/130 psi; 14,50/215 psi; 14,50/345 psi
- Accuracy: cl. 1,0
- Ambient-T: -25 / +65°C / +59/149 °F
- Process fluid-T: max. +65°C / +149 °F
- Protection: IP65 according IEC29
- Options on request:
 - cl. 0.5
 - glycerine filled
 - other connectors

