

PRESSURE GAUGES TYPE MB-MR

LEITENBERGER

Mess- und Regeltechnik GmbH

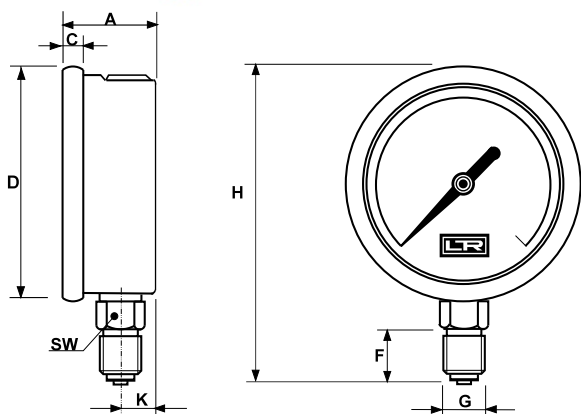
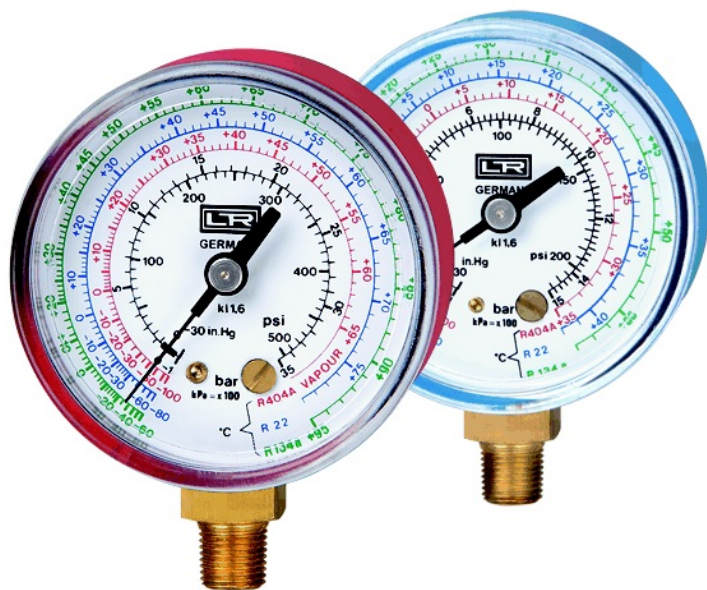
Bahnhofstraße 32/33

D-72138 Kirchentellinsfurt

Fon: +49 (0)7121/908-0

Fax: +49 (0)7121/908-200

E-Mail: mrt-info@leitenberger.de



Type	NG	A	C	D	F	G	H	K	SW
MB618 / MR638	2.48	1.1	0.24	2.69	0.51	1/4 SAE or 1/8 NPT	3.58	0.35	0.55
MB818 / MR838	3.15	1.14	0.25	3.39	0.39		4.13	0.35	0.55

- Case: steel, PVC coated, blue / red
- Window: plexiglass
- Socket: 1/4 SAE or 1/8 NPT, bottom, OT 58 brass
- Elastic element: phosphor bronze
- Movement: gearing, OT 59 brass
- Dial: white
- Pointer: black oxidized aluminium
- Range: High: -1/+38 bar / Low: -1/+18 bar
High: 14,50/500 psi / Low: 14,50/260 psi
- Accuracy: cl. 1,6
- Ambient-T: +15 / +65°C / +59/149 °F
- Process fluid-T: max. +65°C / +149 °F
- Process pressure: max. 75% of full scale value
- Over pressure: 25% of full scale value
- Blow-out plug: EPDM
- Protection: IP65 according IEC29
- Options on request:
 - scales for all marketable refrigerants
 - glycerine filled
 - other connectors