



LTM 2558 BATTERY POWERED LCD THERMOMETER WITH INTEGRATED SPRING CLIPS FOR FRONT PANEL MOUNTING

LEITENBERGER

Mess- und Regeltechnik GmbH

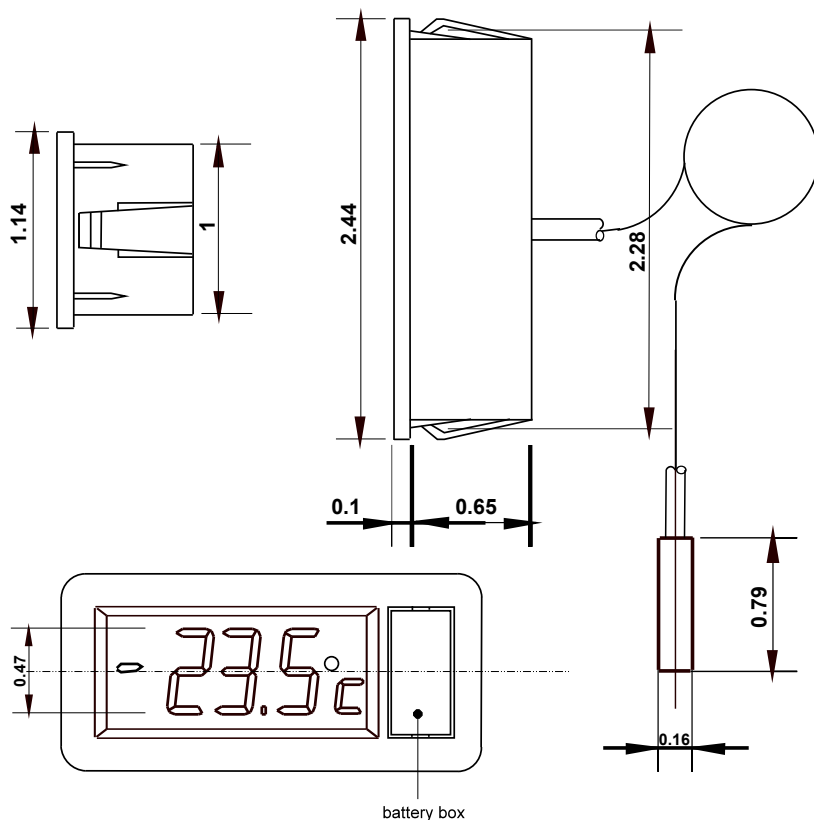
Bahnhofstraße 32/33

D-72138 Kirchentellinsfurt

Fon: +49 (0)7121/908-0

Fax: +49 (0)7121/908-200

E-Mail: mrt-info@leitenberger.de



Type: LTM2558

On / Off switch

switchable from °C to °F

103124 black or white

- Front panel cut-out 25 x 58 / 0.98 x 2.28
- Battery box frontside
- Switch label from °C to °F
- Display: 3 1/2 digits
- Display size: 13 mm
- Range: -40...+110° C / -40...230 °F
- Resolution: 0,1° C / 32,18 °F
- Accuracy: ± 1,5%
- Measuring cycle: 10 sec.
- Cable: 3.000 mm / 118.11 inch
- Power supply: knob cell battery, type LR44

