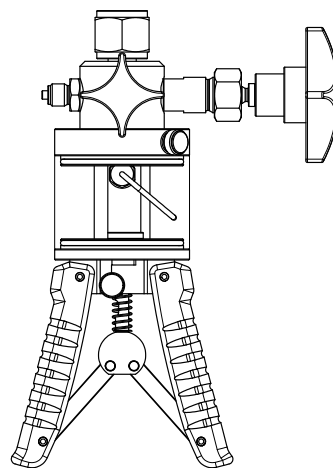


LPP 1000 Calibration pump



Pressure test pump to generate pressure for checking, adjusting and calibrating mechanical and electronic pressure measuring instruments by comparative measurements.



- hydraulic (operated with oil)
- pressure generation up to +1000 bar / 1450 psi
- sufficiently accurate reference measuring
- fine adjustment valve for a precise adjustment
- portable
- adapter 1/4" BSP female thread (freely rotating)
- simple and easy operation
- further adapters on request

LPP1000-SET



DM 100

Calibration test pump pneumatic/hydraulic operated

These pressure tests may be carried out in laboratories, workshop or on site at the measuring point. Despite its compact dimensions, the pressure test pump is easy to operate and allows exact generation of the required test pressures. A changeover switch enables the generation of vacuum as well. The pump is fitted with a fine adjustment valve for the precise adjustment of pressures.



LPP 1000



BSP-Adapter set



Case



- incl. o-rings
- adapters at your choice, NPT/BSP/IG/AG

Delivery in solid plastic case with CNC cutted foam inlay.

DM 100_LR

The reference instrument DM 100_LR is screwed directly on the top of the pump and the unit under test is connected with a connection tube and an 1/4" BSP adapter rotating female port (further adapters on request).

- switchable bar/psi
- with display lighting
- min/max-memory
- accuracy class 0.5 % FS
- adjustable damping

Pressure measurement range:

-50 ... 50	mbar		
-200 ... 200	mbar		
-1 ... +16	bar /	-14,50 ... 232	psi
0 ... 60	bar /	0 ... 870	psi
0 ... 600	bar /	0 ... 8702	psi

Further ranges on request.

