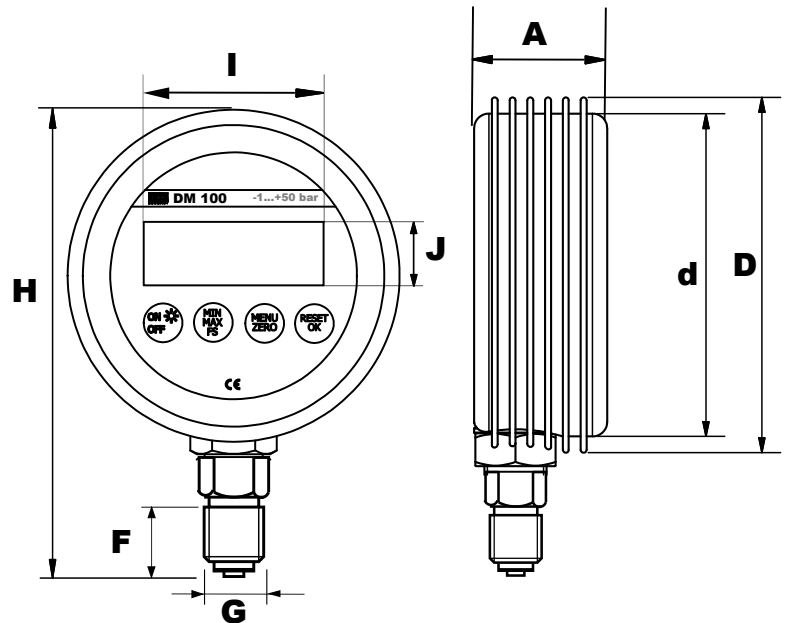


DM 100 Refrigerant



Typ	NG	A	d	D	F	G	H	I	J
DM 100	3.94	1.77	4.21	4.62	0.73	1/4 SAE or 1/8 NPT	6.00	2.56	0.90

Unit: Inch

Case: ABS-Case with rubber protective cap
 Range: -1...+50 bar / -14...+725 psi (switchable)
 Temperature: °C or °F (switchable)
 Adjustable refrigerants: R22, R134a, R404a, R407c, R407f, R410a, R448, R449, R507
 Connection: 1/4 SAE or 1/8 NPT, brass
 Display: with display lighting
 Memory: min / max memory
 Accuracy: class. 0,5% FS
 Power supply: 9V block battery

Options:
 - other thread adapter connection
 - expandable refrigerants on request