

## SQUARE FRONT FOR FRONT PANEL MOUNTING WITH U-CLAMP (WITHOUT BIMETAL COMPENSATION)

### LEITENBERGER

Mess- und Regeltechnik GmbH

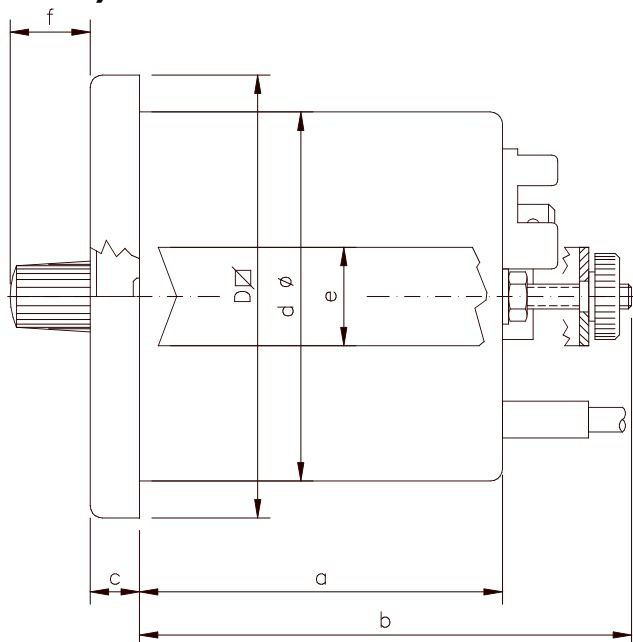
Bahnhofstraße 32/33

D-72138 Kirchentellinsfurt

Fon: +49 (0)7121/908-0

Fax: +49 (0)7121/908-200

E-Mail: mrt-info@leitenberger.de



Type	a	b	c	d	e	f	D
3072X72/60 K	1.97	2.76	0.31	2.36	0.63	0.51	2.83
3072X72/60 M	1.97	2.76	0.31	2.36	0.63	0.51	2.83

Unit: Inch

- |                      |  |
|----------------------|--|
| Case:                | ABS black 3072x72/60 K or steel sheet anti-corrosive 3072x72/60 M  |
| Mounting:            | front panel mounting with u-clamp fixing   |
| Bracket:             | steel sheet anti-corrosive   |
| Window:              | plexiglass, resistant up to 65 °C or 149 °F  |
| Measuring system:    | double bourdon spring system , without bimetal compensation  |
| Scale:               | white with black prints  |
| Scale length:        | approx. 240 <sup>°</sup>   |
| Graduation:          | 1°, 2°, 5°, 10° acc. to range  |
| Range:               | from -80 ... +380°C<br>-112 ... +716 °F  |
| Accuracy:            | class 2 acc. to DIN 16203  |
| Pointer:             | measuring pointer black - set pointer red  |
| Contact:             | 1 single pole contact microswitch, adjustable over hole range  |
| Contact setting:     | frontside with PVC-knob  |
| Max. Switching load: | 5 A 250 V AC 40-60 Hz, non-inductiv  |
| Differential:        | approx. +2% of range "Switching at falling temperature"<br>approx. - 2% of range "Switching at rising temperature" |
| connection:          | AMP connector, size 6.3 acc. to EN 60730   |
| Protection class:    | I  |
| IP class:            | case IP 53, terminals IP 00 acc. to DIN40 050  |
| Approvals:           | CE acc. to EN 60730-1 u. 60730-2-9   |
| QMS:                 | DIN EN ISO 9001  |
| Options:             | - IP 55 by using a protection cap for the terminals  |
| ( on request )       | - contact setting with screwdriver or special key  |
|                      | - factory setted fixed set point   |
|                      | - factory setted fixed maximum set stop  |

**Important Advise:**

**Please use RC units to protect contacts from high voltage peaks.  
Inductive loads allways has to be switched by suitable relais.**