



## 04.71 SQUARE FRONT FOR FRONT PANEL MOUNTING WITH U-CLAMP

### LEITENBERGER

Mess- und Regeltechnik GmbH

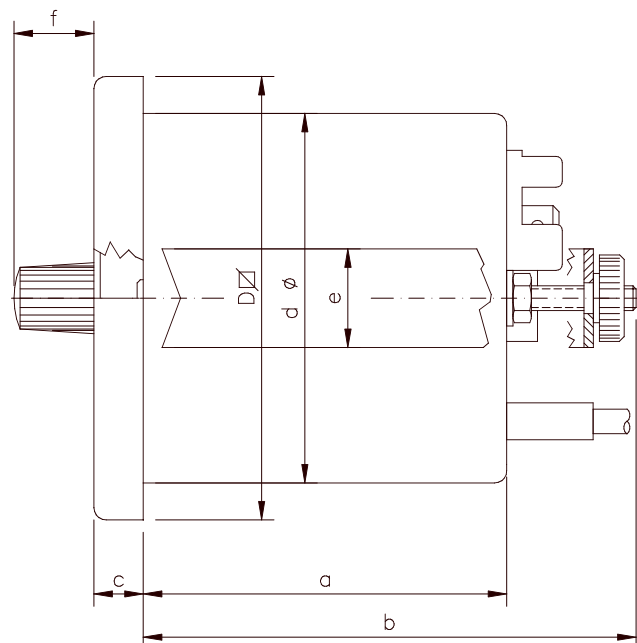
Bahnhofstraße 32/33

D-72138 Kirchentellinsfurt

Fon: +49 (0)7121/908-0

Fax: +49 (0)7121/908-200

E-Mail: mrt-info@leitenberger.de



Type	a	b	c	d	e	f	D
3072X72.1 KB	2.56	3.35	0.31	2.36	0.63	0.51	2.83
3096X96.1 KB	2.56	3.35	0.24	3.15	0.63	0.51	3.78

Unit: Inch

- Case: steel sheet corrosion protected
- Mounting: front panel mounting with u-clamp fixing
- Bracket: steel sheet corrosion protected
- Window: plexiglass / glass
- Measuring system: double bourdon spring system , without bimetal compensation
- Scale: white with black prints
- Scale length: approx. 270 <sup>°</sup>
- Graduation: 1°, 2°, 5°, 10° acc. to range
- Range: from -80 ... +380 °C  
-112 ... +716 °F
- Accuracy: class 2 acc. to DIN 16203
- Pointer: measuring pointer black - set pointer red
- Contact: 1 single pole contact microswitch, adjustable over hole range
- Contact setting: frontside with PVC-knob
- Max. Switching load: 5 A 250 V AC 40-60 Hz, non-inductiv
- Differential: approx. +2% of range "Switching at falling temperature"  
approx. - 2% of range "Switching at rising temperature" AMP connector, size 6.3 acc. to EN 60730
- Connection: I
- Protection class: case IP 53, terminals IP 00 acc. to DIN40 050
- IP class: CE acc. to EN 60730-1 u. 60730-2-9
- Approvals: DIN EN ISO 9001
- QMS: - IP 55 by using a protection cap for the terminals
- Options: - contact setting with screwdriver or special key  
- factory setted fixed set point  
- factory setted fixed maximum set stop

### Important Advise:

Please use RC units to protect contacts from high voltage peaks.  
Inductive loads allways has to be switched by suitable relais.

