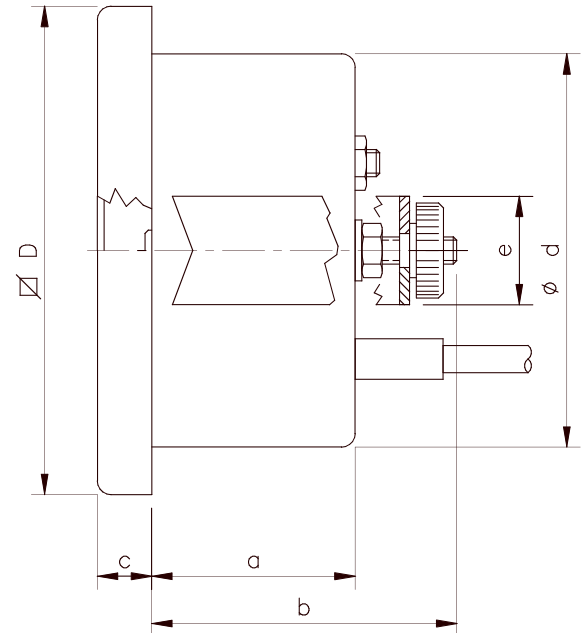


02.78 IN ABS-CASE, SQUARE SHAPE FOR FRONT PANEL MOUNTING WITH U-CLAMP (WITHOUT BIMETAL COMPENSATION)

LEITENBERGER
Mess- und Regeltechnik GmbH
Bahnhofstraße 32/33
D-72138 Kirchentellinsfurt
Fon: +49 (0)7121/908-0
Fax: +49 (0)7121/908-200
E-Mail: mrt-info@leitenberger.de



Type	a	b	c	d	D	e
1072x72/60 KB	0.79	1.38	0.31	2.36	2.83	0.63
1096x96/80 KB	0.79	1.38	0.24	3.15	3.78	0.63

Unit: Inch

- | | |
|-----------------------|---|
| Case: | NG 72x72 ABS, black
NG 96x96 steel sheet corrosion protected |
| Mounting: | Front Panel Mounting with u-clamp |
| Window: | NG 72x72 PMMA, clear, temp. Resistant up to 65 °C or 149 °F
NG 96x96 glass, clear, temp. Resistant up to 65 °C or 149 °F |
| Front frame | NG 96x96 black |
| Measuring system: | single bourdon spring system without bimetal compensation |
| Scale: | white with black prints |
| Scale length: | approx. 270 [°] |
| Graduation: | 1°, 2°, 5°, 10° acc. to range |
| Range: | from -80 ... +380 °C
-112 ... +716 °F |
| Accuracy: | class. 2.0 acc. to DIN 16203 |
| Pointer: | black |
| Capillary connection: | back |
| Options: | - customized logo
- coloured scale
- drag pointer |