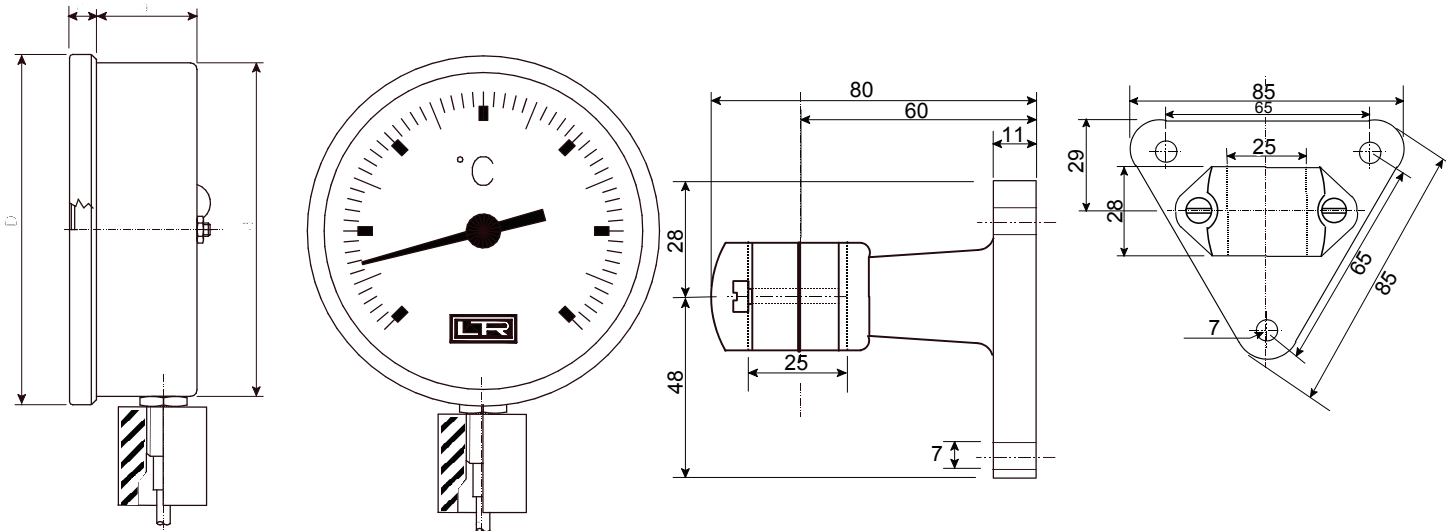




02.61 IN INOX CASE FOR SURFACE MOUNTING WITH WALL HOLDER

LEITENBERGER
Mess- und Regeltechnik GmbH
Bahnhofstraße 32/33
D-72138 Kirchentellinsfurt
Fon: +49 (0)7121/908-0
Fax: +49 (0)7121/908-200
E-Mail: mrt-info@leitenberger.de



Type	a	c	d	D
1063 WK/V	1.57	0.24	2.48	2.68
1080 WK/V	1.57	0.24	3.15	3.35
1100 WK/V	1.65	0.28	3.94	4.13

Unit: Inch

Case:	INOX
Mounting:	wall mounting with wall holder
Window:	plexiglass, clear, temperature resistant up to 65 °C or 149 °F
Wall Holder:	INOX
Measuring system:	double bourdon spring system, with bimetal compensation
Scale:	white - black prints
Scale length:	approx. 270 <°
Graduation:	1°, 2°, 5°, 10° depending on range
Range:	between -80 ... +380 °C -112 ... +716 °F
Accuracy:	class 2 acc. DIN 16203
Pointer:	black
Capillary connection:	back
Options:	<ul style="list-style-type: none"> - customized dial - coloured scale - accuracy class 1.0 or 1.5 - drag pointer - back adjustment - glycerine filling - glass