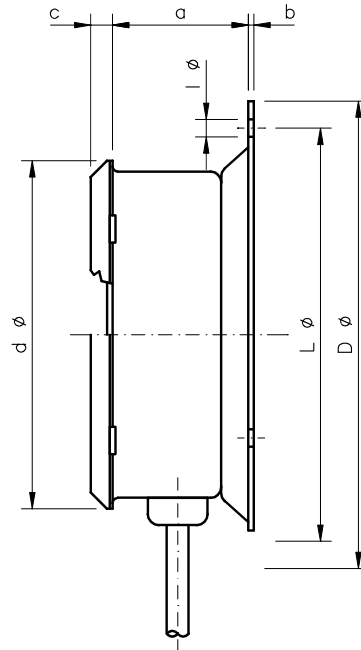




02.49 IN STEEL SHEET CASE FOR SURFACE MOUNTING WITH BACK FLANGE (WITHOUT BIMETAL COMPENSATION)

LEITENBERGER

Mess- und Regeltechnik GmbH
Bahnhofstraße 32/33
D-72138 Kirchentellinsfurt
Fon: +49 (0)7121/908-0
Fax: +49 (0)7121/908-200
E-Mail: mrt-info@leitenberger.de



Type	a	b	c	d	D	I	L
1060 HBR/fs	1.02	0.04	0.16	2.52	3.39	0.14	2.95
1080 HBR/fs	1.02	0.04	0.16	3.31	4.33	0.14	3.74
1100 HBR/fs	1.1	0.04	0.31	4.13	5.2	0.18	4.57

Unit: Inch

Case: steel sheet - corrosion protected
 Mounting: wall mounting with back flange
 Window: glass, clear, resistant up to 65 °C or 149 °F
 Back flange: steel sheet - corrosion protected
 Measuring system: single soft bourdon spring (370) system, without bimetal compensation with back adjustment
 Scale: white - black prints
 Scale length: approx. 240 <°
 Graduation: 1°, 2°, 5°, 10° depending on range
 Range: between -80 ... +380 °C
 -112 ... +716 °F
 Accuracy: class 2 acc. DIN 16203
 Pointer: black
 Capillary connection: back

Options:

- customized dial
- coloured scale
- drag pointer
- case in black

