



GERMANY

02.41 IN INOX CASE FOR SURFACE MOUNTING WITH BACK FLANGE

LEITENBERGER

Mess- und Regeltechnik GmbH

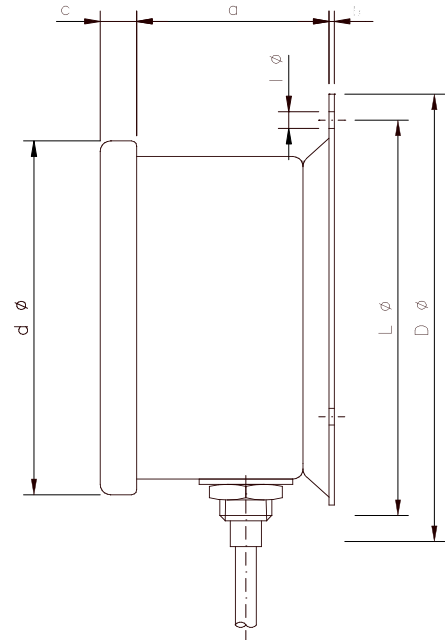
Bahnhofstraße 32/33

D-72138 Kirchentellinsfurt

Fon: +49 (0)7121/908-0

Fax: +49 (0)7121/908-200

E-Mail: mrt-info@leitenberger.de



Type	a	b	c	d	D	l	L
1063 HBR/V	1.77	0.03	0.24	2.68	3.35	0.14	2.95
1080 HBR/V	1.77	0.03	0.24	3.35	4.33	0.14	3.74
1100 HBR/V	1.85	0.03	0.28	4.13	5.2	0.18	4.57
1160 HBR/V	1.46	0.51	0.28	6.3	7.48	0.23	7.01

Unit: Inch

Case: INOX
 Mounting: wall mounting with back flange
 Window: plexiglass, clear, temperature resistant up to 65 °C or 149 °F
 Back Flange: INOX
 Measuring system: double bourdon spring system, with bimetal compensation
 Scale: white - black prints
 Scale length: approx. 270 [°]
 Graduation: 1°, 2°, 5°, 10° depending on range
 Range: between -80 ... +380 °C
 -112 ... +716 °F
 Accuracy: class 2 acc. DIN 16203
 Pointer: black
 Capillary connection: bottom

Options:

- customized dial
- coloured scale
- accuracy class 1.0 or 1.5
- drag pointer
- back adjustment
- glycerine filling
- glass

