



02.31 IN INOX CASE FOR FRONT PANEL MOUNTING WITH 3-HOLE FRONT FLANGE

LEITENBERGER

Mess- und Regeltechnik GmbH

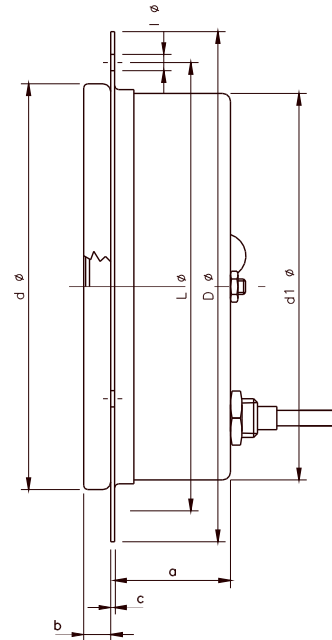
Bahnhofstraße 32/33

D-72138 Kirchentellinsfurt

Fon: +49 (0)7121/908-0

Fax: +49 (0)7121/908-200

E-Mail: mrt-info@leitenberger.de



Type	a	b	c	d	D	d1	l	L
1063 F/V	1.02	0.41	0.12	2.68	3.15	2.48	0.14	2.91
1080 F/V	1.1	0.24	0.03	3.35	4.13	3.15	0.17	3.78
1100 F/V	1.1	0.28	0.03	4.13	5.2	3.94	0.18	4.57
1160 F/V	1.38	0.51	-	-	7.56	6.3	0.23	7.01

Unit: Inch

Case: INOX
 Mounting: panel mounting with 3-hole front flange
 Window: Ø 63 and 80 glass, clear, temperature resistant up to 65 °C or 149 °F
 Ø 100 Makrolon
 Front Flange: stainless steel polished
 Measuring system: double bourdon spring system, with bimetal compensation
 Scale: white - black prints
 Scale length: approx. 270 [°]
 Graduation: 1°, 2°, 5°, 10° depending on range
 Range: between -80 ... +380 °C
 -112 ... +716 °F
 Accuracy: class 2 acc. DIN 16203
 Pointer: black
 Capillary connection: back

Options:

- customized dial
- coloured scale
- accuracy class 1.0 or 1.5
- drag pointer
- back adjustment
- glycerine filling
- NG 100 window made of glass

