



02.22 K3 IN ABS-CASE, ROUND FOR FRONT PANEL MOUNTING OR WALL MOUNTING

LEITENBERGER

Mess- und Regeltechnik GmbH

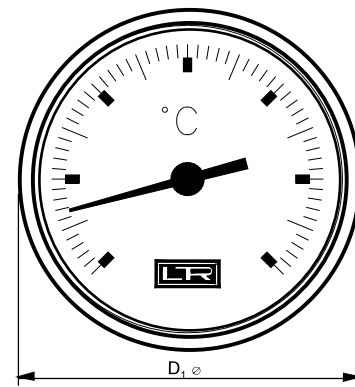
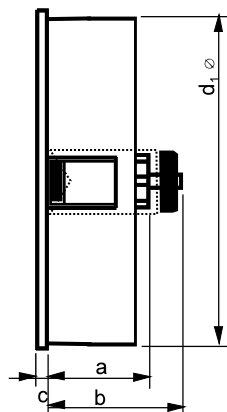
Bahnhofstraße 32/33

D-72138 Kirchentellinsfurt

Fon: +49 (0)7121/908-0

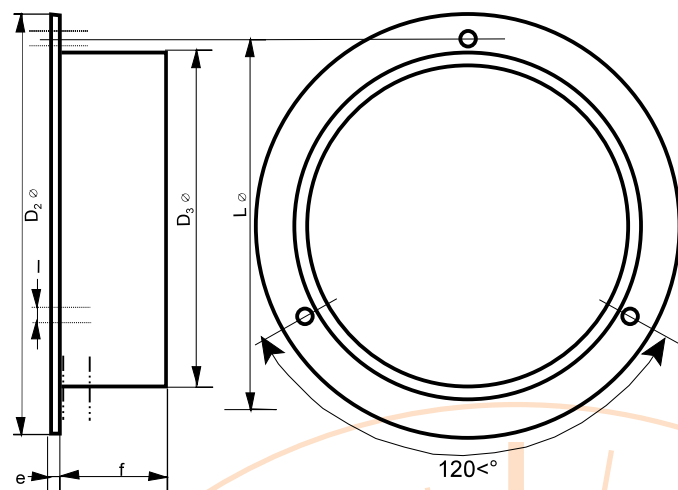
Fax: +49 (0)7121/908-200

E-Mail: mrt-info@leitenberger.de



Type	1052 K3	1060 K3	1080 K3	1100 K3
a	0.91	0.91	0.91	0.67
b	1.3	1.3	1.3	1.14
c	0.12	0.12	0.12	0.31
d ₁	2.05	2.36	3.15	3.86
D ₁	2.26	2.58	3.31	4.17
u-clamp	2.17x1.02	2.56x1.02	3.31x1.02	4.09x1.02

Type	1052 K3	1060 K3	1080 K3	1100 K3
e	0.12	0.12	0.12	0.12
f	0.98	0.98	0.98	0.98
D ₂	3.15	3.15	4.13	5.2
D ₃	2.17	2.48	3.27	4.06
I	0.18	0.18	0.18	0.18
L	2.91	2.91	3.78	4.57



Unit: Inch

Case: ABS black or white, resistant up to +80°C or 176 °F
 Mounting: Front panel mounting with integrated clips
 Window: ABS, clear, resistant up to + 80°C or 176 °F
 Measuring system: single bourdon spring system without bi-metal compensation
 Scale: white with black letter
 Scale length: approx. 225 <°
 Graduation: 1°, 2°, 5°, 10° depending to range
 Range: all between -80 ... +380 °C available
 -112 ... +716 °F
 Accuracy: ± 3% at 23 °C or 73.4 °F ambient temperature

Options:

- coloured scale
- customized logo
- chromed bezel
- case colours standard: black/white/blue
- case colours available (min./order 1000 pcs): yellow/red/ green
- bracket mounting
- bi-metal compensation

