

02.13 IN INOX CASE FOR FRONT PANEL MOUNTING WITH U-CLAMP

LEITENBERGER

Mess- und Regeltechnik GmbH

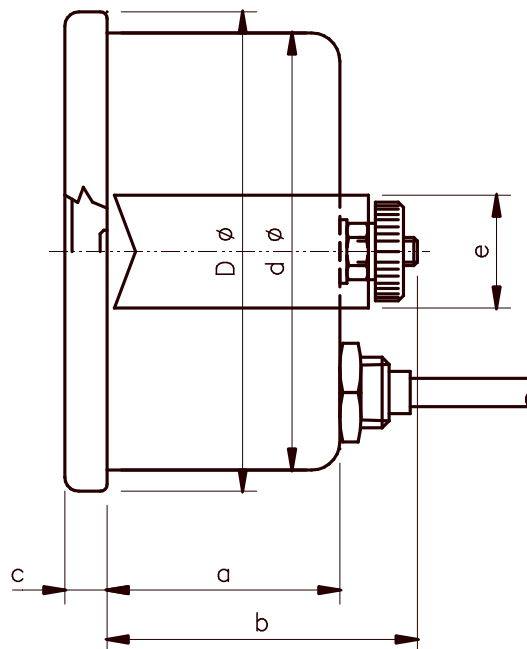
Bahnhofstraße 32/33

D-72138 Kirchentellinsfurt

Fon: +49 (0)7121/908-0

Fax: +49 (0)7121/908-200

E-Mail: mrt-info@leitenberger.de



Type	a	b	c	d	D	l
1063 KB/V	1.3	1.89	0.24	2.48	2.68	0.14
1080 KB/V	1.18	1.77	0.24	3.15	3.35	0.14
1100 KB/V	1.18	1.77	0.28	3.94	4.13	0.18
1160 KB/V	1.38	1.97	0.51	6.3	7.48	7.01

Unit: Inch

Case:	stainless steel
Mounting:	panel mounting with u-clamp
Window:	Ø 63 and Ø 80 glass, clear, Ø 100 Makrolon resistant up to 65 °C or 149 °F
U-clamp:	steel sheet corrosion protected
Measuring system:	double bourdon spring system, with bimetal compensation
Scale:	white - black prints
Scale length:	approx. 270 [°]
Graduation:	1°, 2°, 5°, 10° depending on range
Range:	between -80 ... +380 °C -112 ... +716 °F
Accuracy:	class 2 acc. DIN 16203
Pointer:	black
Capillary connection:	back

Options:	<ul style="list-style-type: none"> - customized dial - coloured scale - back adjustment - accuracy ±1 %, ±1,5 % - glycerine filling - bottom connection
----------	---