



## 02.07 IN ABS-CASE, SQUARE SHAPE FOR FRONT PANEL MOUNTING WITH U-CLAMP

### LEITENBERGER

Mess- und Regeltechnik GmbH

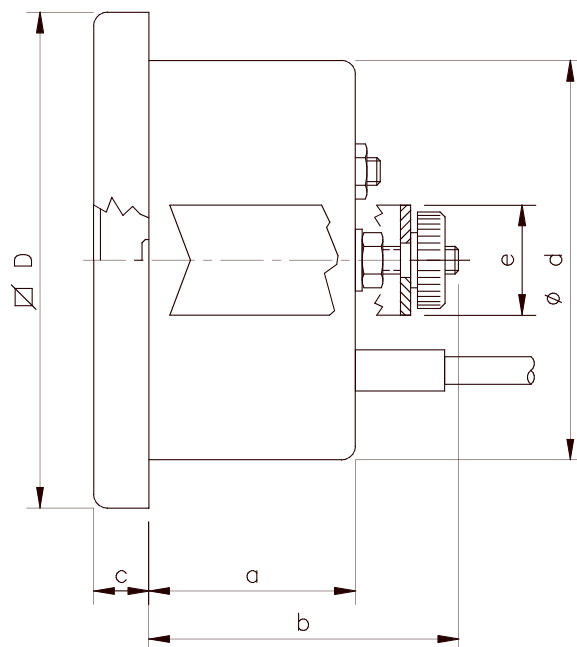
Bahnhofstraße 32/33

D-72138 Kirchentellinsfurt

Fon: +49 (0)7121/908-0

Fax: +49 (0)7121/908-200

E-Mail: mrt-info@leitenberger.de



Type	a	b	c	d	D	e
1072x72/60 KB	1.18	1.77	0.31	2.36	2.83	0.63
1096x96/80 KB	1.18	1.77	0.24	3.15	3.78	0.63

Unit: Inch

Case:	NG 72x72 ABS, black NG 96x96 steel sheet corrosion protected
Mounting:	Front Panel Mounting with u-clamp
Window:	NG 72x72 PMMA, clear, temp. Resistant up to 65 °C or 149 °F NG 96x96 glass, clear, temp. Resistant up to 65 °C or 149 °F
Front frame	NG 96x96 black
Measuring system:	double bourdon spring system with bimetal compensation
Scale:	white with black prints
Scale length:	approx. 270 <sup>°</sup>
Graduation:	1°, 2°, 5°, 10° acc. to range
Range:	from -80 ... +380 °C -112 ... +716 °F
Accuracy:	class. 2.0 acc. to DIN 16203
Pointer:	black
Capillary connection:	back

Options:	- customized logo - coloured scale - accuracy class 1.0 - drag pointer - back adjustment
----------	--