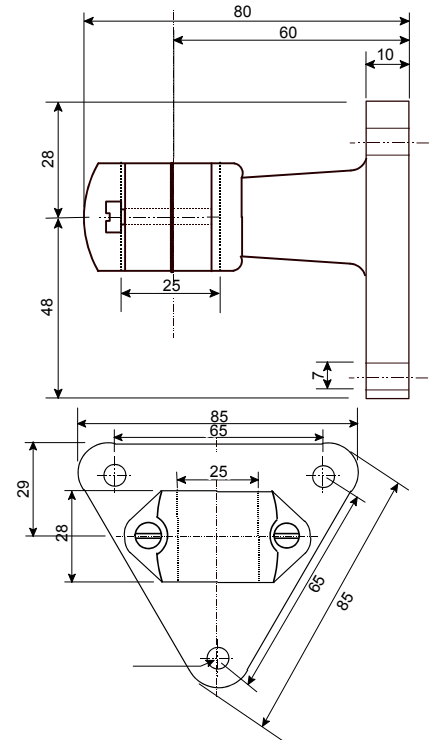
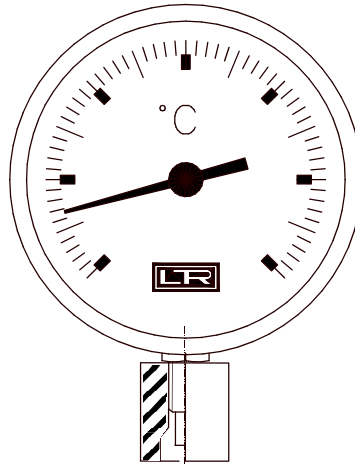
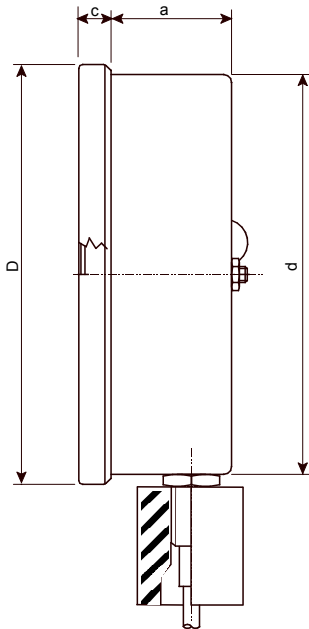




02.06 IN STEEL CASE FOR WALL MOUNTING WITH WALL HOLDER

LEITENBERGER

Mess- und Regeltechnik GmbH
Bahnhofstraße 32/33
D-72138 Kirchentellinsfurt
Fon: +49 (0)7121/908-0
Fax: +49 (0)7121/908-200
E-Mail: mrt-info@leitenberger.de



Type	a	c	d	D
1060 WK	1.18	0.16	2.36	2.52
1080 WK	1.18	0.16	3.15	3.31
1100 WK	1.18	0.16	3.94	4.13

Unit: Inch

Case: steel sheet PVC coated light grey
 Mounting: wall mounting with wall holder
 Window: glass, resistant up to 65 °C or 149 °F
 Bezel: chromed
 Measuring system: double bourdon spring system, with bimetal compensation
 Scale: white - black prints
 Scale length: approx. 270 <°
 Graduation: 1°, 2°, 5°, 10° depending on range
 Range: between -80 ... +380 °C
 -112 ... +716 °F
 Accuracy: class 2 acc. DIN 16203
 Pointer: black
 Capillary connection: bottom

Options:

- customized dial
- coloured scale
- accuracy class
- drag pointer
- case in black
- back adjustment