



02.04 IN STEEL SHEET CASE FOR SURFACE MOUNTING WITH BACK FLANGE

LEITENBERGER

Mess- und Regeltechnik GmbH

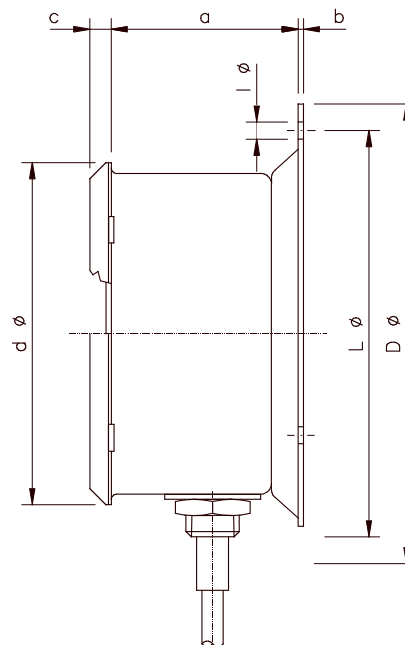
Bahnhofstraße 32/33

D-72138 Kirchentellinsfurt

Fon: +49 (0)7121/908-0

Fax: +49 (0)7121/908-200

E-Mail: mrt-info@leitenberger.de



Type	a	b	c	d	D	I	L
1060 HBR	1.42	0.04	0.16	2.52	3.39	0.14	2.95
1080 HBR	1.5	0.04	0.16	3.31	4.33	0.14	3.74
1100 HBR	1.5	0.06	0.31	4.13	5.2	0.18	4.57
1160 HBR	1.85	0.24	-	6.3	7.72	0.23	7.01

Unit: Inch

Case: steel sheet - PVC coated, light grey
 Mounting: wall mounting with back flange
 Window: glass, clear, resistant up to 65 °C or 149 °F
 Back flange: steel sheet corrosion protected
 Frontring: NG 60, 80, 160 - chromed
 NG 100 - bezel chromed
 Measuring system: double bourdon spring system with bimetal compensation
 Scale: white - black prints
 Scale length: approx. 240 [°]
 Graduation: 1°, 2°, 5°, 10° depending on range
 Range: between -80 ... +380 °C
 -112 ... +716 °F
 Accuracy: class 2 acc. DIN 16203
 Pointer: black
 Capillary connection: back

Options:

- customized dial
- coloured scale
- accuracy class 1.0
- back adjustment
- drag pointer
- case in black

