

04.11 FOR FRONT PANEL MOUNTING WITH U-CLAMP

LEITENBERGER

Mess- und Regeltechnik GmbH

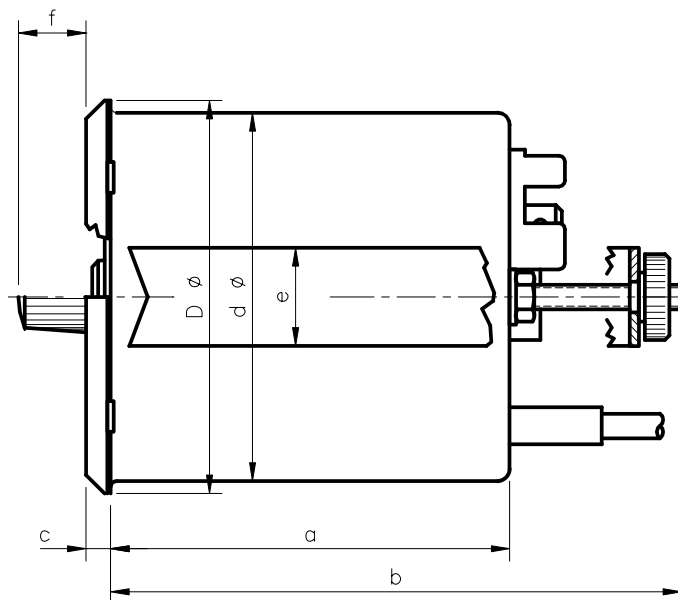
Bahnhofstraße 32/33

D-72138 Kirchentellinsfurt

Fon: +49 (0)7121/908-0

Fax: +49 (0)7121/908-200

E-Mail: mrt-info@leitenberger.de



Type	a	b	c	d	e	f	D
3060.1 KB	2.56	3.35	0.16	2.36	0.63	0.43	2.52
3080.1 KB	2.56	3.35	0.2	3.15	0.63	0.43	3.31
3100.1 KB	2.56	3.35	0.31	3.94	0.63	0.47	4.13

Case:	steel sheet corrosion protected
Mounting:	front panel mounting with u - clamp fixing
Bracket:	steel sheet corrosion protected
Window:	glass
Measuring system:	double bourdon spring system , with bimetal compensation
Scale:	white with black prints
Scale length:	approx.270 [°]
Graduation:	1°, 2°, 5°, 10° acc. to range
Range:	from -80 ... +380°C -112 ... +716 °F
Accuracy:	class 2 acc. to DIN 16203
Pointer:	measuring pointer black - set pointer red
Contact:	1 single pole contact microswitch, adjustable over hole
Contact setting:	range frontside with PVC-knob
Max. Switching load:	5 A 250 V AC 40-60 Hz, non-inductiv
Differential:	approx. +2% of range "Switching at falling temperature" approx. - 2% of range "Switching at rising temperature"
Connection:	AMP connector, size 6.3 acc. to EN 60730
Protection class:	I
IP class:	case IP 53, terminals IP 00 acc. to DIN40 050
Approvals:	CE acc. to EN 60730-1 u. 60730-2-9
QMS:	DIN EN ISO 9001
Options:	- IP 55 by using a protection cap for the terminals - contact setting with screwdriver or special key - factory setted fixed set point - factory setted fixed maximum set stop

Unit: Inch

Important Advise:

**Please use RC units to protect contacts from high voltage peaks.
Inductive loads allways has to be switched by suitable relais.**